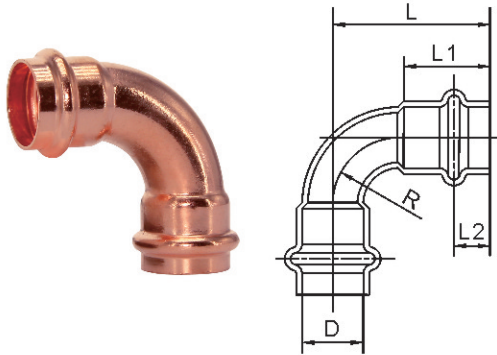


卡口承口大弯

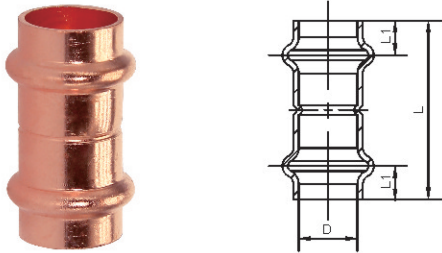
Bayonet Elbow-long FF



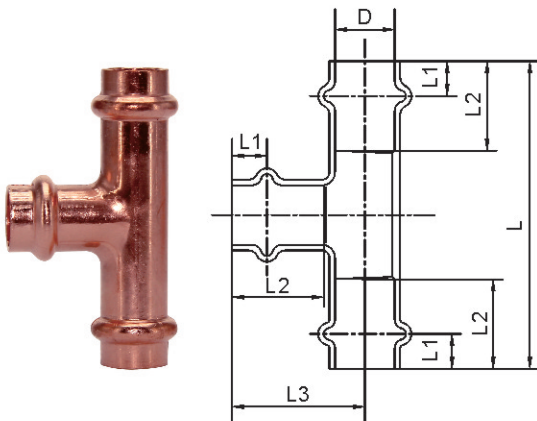
订货代号 Order No.	型号 Model No.	尺寸 Dimension (mm)				
		D	L	L1	L2	R
	KY-LD-DN15	12.7	32	18	7.5	14
	KY-LD-DN20	18.9	43	21	10	22
	KY-LD-DN25	25.4	56	24	10	32.5
	KY-LD-DN32	38.0	63	26	10	36
	KY-LD-DN40	38.1	77	31	13	45

卡口承口直接

Bayonet Straight Coupling



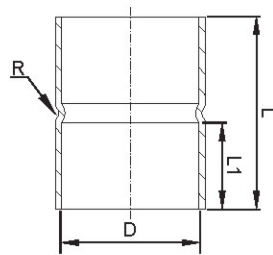
订货代号 Order No.	型号 Model No.	尺寸 Dimension (mm)		
		D	L	L1
	KY-S-DN15	12.7	39	7.5
	KY-S-DN20	19.2	48	10
	KY-S-DN25	25.4	48	10
	KY-S-DN32	31.9	58.5	10
	KY-S-DN38	38.1	64	13



订货代号 Order No.	型号 Model No.	尺寸 Dimension (mm)				
		D	L	L1	L2	L3
	KY-T-DN15	12.7	66	7.5	18	28.5
	KY-T-DN20	19.1	84	10	24	36
	KY-T-DN25	25.4	91	10	26	40
	KY-T-DN32	31.9	92	10	25	43.5
	KY-T-DN40	38.1	111	13	34	53.5

承口直接

Straight Coupling

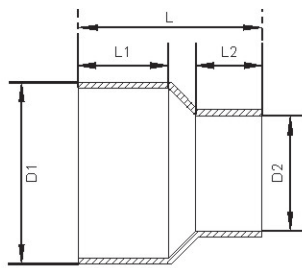


订货代号 Order No.	型号 Model No.	尺寸 Dimension (mm)					材料壁厚
		D	L	L1	R		
43540	S-6	6.05	16	6	1.0	0.9	
43541	S-6.35	6.40	16	6	0.9	0.75	
43542	S-8	8.05	17	7	0.9	0.9	
43543	S-9.52	9.58	20	8	1.0	0.9	
43544	S-10	10.05	20	8	1.0	0.9	
43545	S-12	12.05	21	9	1.0	0.9	
43546	S-12.7	12.75	21	10	1.0	0.9	
43547	S-15	15.07	25	11	1.0	0.9	
43548	S-15.88	15.95	27	12	1.0	0.9	
43549	S-16	16.07	27	12	1.0	0.9	
43550	S-19	19.10	30	13	1.0	0.9	
43551	S-22	22.10	34	15	1.0	1	
43552	S-22.23	22.33	34	15	1.0	1	
43553	S-25	25.10	38	17	1.0	1	
43554	S-25.4	25.50	38	17	1.0	1	

订货代号 Order No.	型号 Model No.	尺寸 Dimension (mm)					材料壁厚
		D	L	L1	R		
43555	S-28	28.10	42	19	1.0	1	
43556	S-28.6	28.70	42	19	1.0	1	
43557	S-32	32.10	47	21	1.2	1.3	
43558	S-35	35.10	49	22	1.2	1.3	
43559	S-38	38.10	50	23	1.2	1.4	
43560	S-41.3	41.40	54	25	1.2	1.4	
43561	S-42	42.10	55	25	1.2	1.4	
43562	S-44	44.10	58	26	4.4	1.4	
43563	S-45	45.10	58	26	1.4	1.5	
43564	S-50	50.15	60	28	1.4	1.7	
43565	S-54	54.15	66	30	1.4	1.8	
43566	S-55	55.15	66	30	1.4	1.7	
43567	S-60	60.15	70	32	1.4	1.7	
43568	S-66.7	66.85	76	35	1.5	1.7	
43569	S-67	67.15	76	35	1.5	1.7	
43570	S-70	70.15	79	36	1.5	1.9	
43571	S-76	76.20	84	38	1.4	1.8	
43572	S-79.4	79.45	86	40	1.5	2	
43573	S-80	80.20	88	40	1.6	2.2	
43574	S-85	85.20	90	42	1.6	2.2	
43575	S-89	89.20	94	44	1.7	2.3	
43576	S-92	92.20	98	45	1.7	2.3	
43577	S-105	105.30	107	50	1.7	2.4	
43578	S-108	108.30	112	50	1.7	2.4	
43579	S-133	133.60	127	58	2.0	3	
43580	S-159	159.70	146	66	2.5	4	

承插异径直接

Fitting Reducer

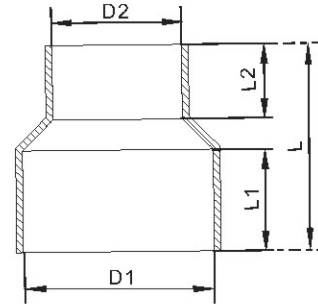
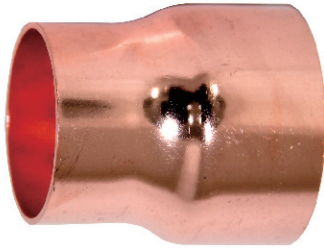


订货代号 Order No.	型号 Model No.	尺寸 Dimension (mm)					材料壁厚
		D1	D2	L	L1	L2	
43227	S- ϕ 9.52 \times 6.35	9.52	6.40	18	8	6	0.8
43228	S- ϕ 12.7 \times 6.35	12.70	6.40	22	10	6	0.8
43229	S- ϕ 12.7 \times 9.52	12.70	9.58	22	10	8	0.8
43230	S- ϕ 15.88 \times 6.35	15.88	6.40	26	12	6	0.9
43231	S- ϕ 15.88 \times 9.52	15.88	9.58	26	12	8	0.9
43232	S- ϕ 15.88 \times 12.7	15.88	12.75	26	12	10	0.9
43139	S- ϕ 16 \times 9.52	16	9.58	26	12	8	0.9
43140	S- ϕ 16 \times 10	16	10.05	26	12	8	0.9
43141	S- ϕ 16 \times 12	16	12.05	26	12	9	0.9
43145	S- ϕ 19 \times 12.7	19	12.75	30	13	10	0.9
43236	S- ϕ 19 \times 15.88	19	15.95	30	13	12	0.9
43149	S- ϕ 22 \times 16	22	16.07	34	15	12	1.1

订货代号 Order No.	型号 Model No.	尺寸 Dimension (mm)					材料壁厚
		D1	D2	L	L1	L2	
43150	S- ϕ 22 \times 19	22	19.10	34	15	13	1.1
43238	S- ϕ 22.3 \times 12.7	22.30	12.75	35	16	10	1.1
43239	S- ϕ 22.3 \times 15.88	22.30	15.95	35	16	12	1.1
43240	S- ϕ 22.3 \times 19	22.30	19.10	35	16	13	1.1
43157	S- ϕ 28 \times 22	28	22.10	41	19	15	1.2
43247	S- ϕ 28.6 \times 15.88	28.60	15.95	42	19	12	1.2
43248	S- ϕ 28.6 \times 19	28.60	19.10	42	19	13	1.2
43249	S- ϕ 28.6 \times 22.3	28.60	22.33	42	19	15	1.2
43257	S- ϕ 35 \times 22.3	35	22.33	49	22	15	1.3
43164	S- ϕ 35 \times 28	35	28.10	49	22	19	1.3
43259	S- ϕ 35 \times 28.6	35	28.70	49	22	19	1.3
43264	S- ϕ 41.3 \times 22.3	41.30	22.33	55	25	14	1.5
43265	S- ϕ 41.3 \times 28.6	41.30	28.70	55	25	19	1.5
43266	S- ϕ 41.3 \times 35	41.30	35.10	55	25	22	1.5
43171	S- ϕ 42 \times 35	42	35.10	55	25	23	1.5
43272	S- ϕ 54 \times 28.6	54	28.70	69	30	19	1.7
43273	S- ϕ 54 \times 35	54	35.10	69	30	22	1.7
43274	S- ϕ 54 \times 41.3	54	41.40	68	30	25	1.7
43181	S- ϕ 54 \times 42	54	42.10	67	30	25	1.7
43279	S- ϕ 66.7 \times 54	66.70	54.15	78	35	30	1.8
43186	S- ϕ 67 \times 42	67	42.10	80	35	25	1.8
43188	S- ϕ 67 \times 54	67	54.15	78	35	30	1.8

承口异径直接

Fitting Reducer

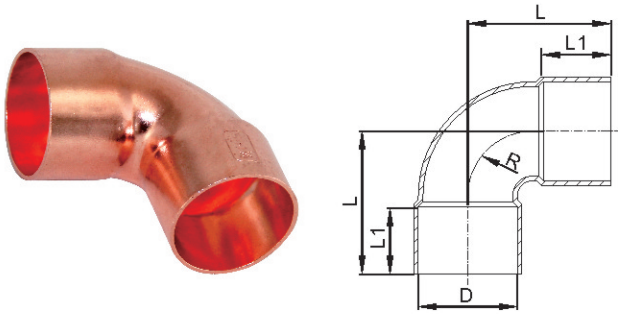


订货代号 Order No.	型号 Model No.	尺寸 Dimension (mm)					
		D1	D2	L	L1	L2	材料壁厚
43407	S-9.52x6.35	9.58	6.40	18	8	6	0.8
43301	S-10x8	10.05	8.05	18	8	7	0.8
43303	S-12x10	12.05	10.05	21	9	8	0.8
43408	S-12.7x6.35	12.75	6.40	22	10	6	0.8
43409	S-12.7x9.52	12.75	9.58	22	10	8	0.8
43410	S-15.88x6.35	15.95	6.40	26	12	6	0.9
43411	S-15.88x9.52	15.95	9.58	26	12	8	0.9
43412	S-15.88x12.7	15.95	12.75	26	12	10	0.9
43987	S-16x8	16.07	8.05	26	12	7	0.9
43307	S-16x10	16.07	10.05	26	12	8	0.9
43308	S-16x12	16.07	12.05	26	12	9	0.9
43313	S-19x10	19.10	10.05	30	13	8	0.9
43314	S-19x12	19.10	12.05	30	13	9	0.9
43415	S-19x12.7	19.10	12.75	30	13	10	0.9
43416	S-19x15.88	19.10	15.95	30	13	12	0.9
43317	S-19x16	19.10	16.07	30	13	12	0.9
43318	S-22x10	22.10	10.05	34	15	8	1.1
43319	S-22x12	22.10	12.05	34	15	9	1.1
43321	S-22x16	22.10	16.07	34	15	12	1.1
43323	S-22x19	22.10	19.10	34	15	13	1.1
43417	S-22.3x9.52	22.33	9.58	34	15	8	1.1
43418	S-22.3x12.7	22.33	12.75	34	15	10	1.1
43419	S-22.3x15.88	22.33	15.95	34	15	12	1.1
43988	S-22.3x16	22.33	16.07	34	15	12	1.1
43420	S-22.3x19	22.33	19.10	34	15	13	1.1
43326	S-25x22	25.10	22.10	38	17	15	1.2
43989	S-25.4x16	25.50	16.07	38	17	12	1.2
43422	S-25.4x19	25.50	19.10	38	17	13	1.2
43423	S-25.4x22.3	25.50	22.33	38	17	15	1.2
43328	S-28x16	28.10	16.07	41	19	12	1.2
43329	S-28x19	28.10	19.10	41	19	13	1.2
43330	S-28x22	28.10	22.10	41	19	15	1.2
43424	S-28.6x12.7	28.70	12.75	42	19	10	1.2
43425	S-28.6x15.88	28.70	15.95	42	19	12	1.2
43990	S-28.6x16	28.70	16.07	42	19	12	1.2
43426	S-28.6x19	28.70	19.10	42	19	13	1.2
43427	S-28.6x22.3	28.70	22.33	42	19	15	1.2
43428	S-28.6x25.4	28.70	25.50	42	19	17	1.2
43991	S-32x19	32.10	19.10	46	21	13	1.3
43992	S-32x22.3	32.10	22.33	46	21	15	1.3
43993	S-32x25.4	32.10	25.50	46	21	17	1.3
43994	S-32x28.6	32.10	28.70	46	21	19	1.3
43432	S-35x15.88	35.10	15.95	49	22	12	1.3

订货代号 Order No.	型号 Model No.	尺寸 Dimension (mm)					
		D1	D2	L	L1	L2	材料壁厚
43334	S-35x16	35.10	16.07	49	22	12	1.3
43335	S-35x19	35.10	19.10	49	22	13	1.3
43336	S-35x22	35.10	22.10	49	22	15	1.3
43434	S-35x22.3	35.10	22.33	49	22	15	1.3
43338	S-35x28	35.10	28.10	49	22	19	1.3
43436	S-35x28.6	35.10	28.70	49	22	19	1.3
43995	S-38x22.3	38.10	22.33	52	23	15	1.4
43996	S-38x28.6	38.10	28.70	52	23	19	1.4
43997	S-38x32	38.10	32.10	52	23	21	1.4
43342	S-38x35	38.10	35.10	52	23	22	1.4
43437	S-41.3x15.88	41.40	15.95	55	25	12	1.4
43439	S-41.3x22.3	41.40	22.33	55	25	15	1.4
43441	S-41.3x28.6	41.40	28.70	55	25	19	1.4
43442	S-41.3x35	41.40	35.10	54	25	22	1.4
43343	S-42x22	42.10	22.10	56	25	15	1.4
43344	S-42x28	42.10	28.10	56	25	19	1.4
43345	S-42x35	42.10	35.10	55	25	22	1.4
43998	S-45x28.6	45.10	28.70	60	26	19	1.5
43348	S-45x35	45.10	35.10	59	26	22	1.5
43999	S-50x35	50.15	35.10	64	28	22	1.8
44000	S-50x42	50.15	42.10	64	28	25	1.8
43444	S-54x22.3	54.15	22.33	69	30	15	1.8
43353	S-54x28	54.15	28.10	70	30	19	1.8
43445	S-54x28.6	54.15	28.70	70	30	19	1.8
43446	S-54x35	54.15	35.10	68	30	22	1.8
43447	S-54x41.3	54.15	41.40	67	30	25	1.8
43355	S-54x42	54.15	42.10	67	30	25	1.8
43360	S-64x54	64.15	54.15	75	34	30	1.8
43450	S-66.7x35	66.85	35.10	81	35	22	1.8
43451	S-66.7x41.3	66.85	41.40	80	35	25	1.8
43452	S-66.7x54	66.85	54.15	79	35	30	1.8
43361	S-67x35	67.15	35.10	81	35	22	1.8
43362	S-67x42	67.15	42.10	80	35	25	1.8
43364	S-67x54	67.15	54.15	79	35	30	1.8
43372	S-76x54	76.20	54.15	87	38	30	1.8
43373	S-76x67	76.20	67.15	87	38	35	1.8
43374	S-79.4x54	79.45	54.15	91	40	30	2
44001	S-79.4x66.7	79.45	66.85	88	40	35	2
43375	S-79.4x67	79.45	67.15	88	40	35	2
43377	S-80x54	80.20	54.15	92	40	30	2
44002	S-105x79.4	105.30	79.45	112	50	40	2.4
43392	S-105x92	105.30	92.2	114	50	45	2.4

90° 承口弯头

90° Elbow

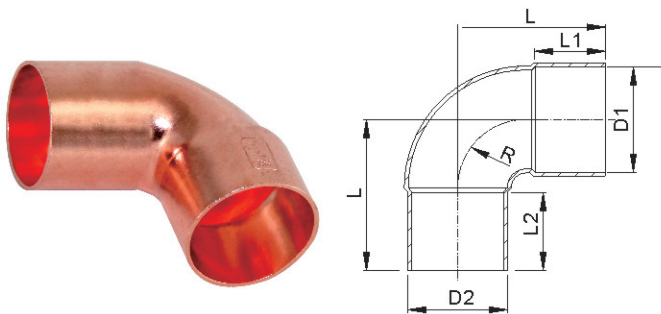


订货代号 Order No.	型号 Model No.	尺寸 Dimension (mm)					材料壁厚
		D	L	L1	R		
43615	L-6	6.05	12	6	5	0.8	
43616	L-6.35	6.40	12	6	5	0.8	
43617	L-8	8.05	14	7	6	0.8	
43618	L-9.52	9.58	16	8	7	0.8	
43619	L-10	10.05	17	8	7	0.8	
43620	L-12	12.05	19	9	8.5	0.8	
43621	L-12.7	12.75	20	10	8.5	0.8	
43622	L-15	15.07	23	11	19	0.8	
43623	L-15.88	15.95	24	12	19	0.8	
43624	L-16	16.07	25	12	19	0.8	
43625	L-19	19.10	28	13	23	0.9	

订货代号 Order No.	型号 Model No.	尺寸 Dimension (mm)					材料壁厚
		D	L	L1	R		
43626	L-22	22.10	31	15	15	1	
43627	L-22.23	22.33	32	15	15	1	
43628	L-25	25.10	35	17	16	1.1	
43629	L-25.4	25.50	36	17	16	1.1	
43630	L-28	28.10	39	19	18	1.1	
43631	L-28.6	28.7	39	19	18	1.1	
43632	L-32	32.10	43	21	20	1.2	
43633	L-35	35.10	47	22	22	1.3	
43634	L-38	38.10	48	23	24	1.4	
43635	L-42	42.10	54	25	26	1.5	
43636	L-50	50.15	62	28	31	1.7	
43637	L-54	54.15	66	30	33	1.7	
43638	L-67	67.15	79	35	41	1.8	
43639	L-76	76.20	89	38	47	2	
43640	L-79.4	79.45	92	40	48	2	
43641	L-80	80.20	93	40	49	2	
43642	L-85	85.20	98	42	48	2	
43643	L-89	89.20	103	44	54	2.3	
43644	L-92	92.20	105	45	56	2.3	
43645	L-105	105.30	119	50	64	2.8	
43646	L-108	108.30	121	50	66	2.8	
43647	L-133	133.60	144	58	81	3	

90° 承插弯头

90° Elbow

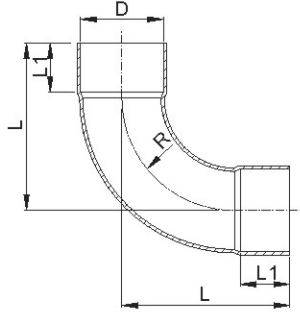


订货代号 Order No.	型号 Model No.	尺寸 Dimension (mm)							材料壁厚
		D1	D2	L	L1	L2	R		
43648	L-6xø6	6.05	6	12	6	6	5	0.8	
43649	L-6.35xø6.35	6.40	6.35	12	6	6	5	0.8	
43650	L-8xø8	8.05	8	14	7	7	6	0.8	
43651	L-9.52xø9.52	9.58	9.52	16	8	8	7	0.8	
43652	L-10xø10	10.05	10	17	8	8	7	0.8	
43653	L-12xø12	12.05	12	19	9	9	8.5	0.8	
43654	L-12.7xø12.7	12.75	12.7	20	10	10	8.5	0.8	
43655	L-15xø15	15.07	15	23	11	11	19	0.8	
43656	L-15.88xø15.88	15.95	15.88	24	12	12	19	0.8	
43657	L-16xø16	16.07	16	25	12	12	19	0.8	
43658	L-19xø19	19.10	19	28	13	13	23	0.9	

订货代号 Order No.	型号 Model No.	尺寸 Dimension (mm)							材料壁厚
		D1	D2	L	L1	L2	R		
43659	L-22xø22	22.10	22	31	15	15	15	1	
43660	L-22.23xø22.23	22.33	22.23	32	15	15	15	1	
43661	L-25xø25	25.10	25	35	17	17	16	1.1	
43662	L-25.4xø25.4	25.50	25.4	36	17	17	16	1.1	
43663	L-28xø28	28.10	28	39	19	19	18	1.1	
43664	L-28.6xø28.6	28.7	28.6	39	19	19	18	1.1	
43665	L-32xø32	32.10	32	43	21	21	20	1.2	
43666	L-35xø35	35.10	35	47	22	22	22	1.3	
43667	L-38xø38	38.10	38	48	23	23	24	1.4	
43668	L-42xø42	42.10	42	54	25	25	26	1.5	
43669	L-50xø50	50.15	50	62	28	28	31	1.7	
43670	L-54xø54	54.15	54	66	30	30	33	1.7	
43671	L-67xø67	67.15	67	79	35	35	41	1.8	
43672	L-76xø76	76.20	76	89	38	38	47	2	
43673	L-79.4xø79.4	79.45	79.40	92	40	40	48	2	
43674	L-80xø80	80.20	80	93	40	40	49	2	
43675	L-85xø85	85.20	85	98	42	42	48	2	
43676	L-89xø89	89.20	89	103	44	44	54	2.3	
43677	L-92xø92	92.20	92	105	45	45	56	2.3	
43678	L-105xø105	105.30	105	119	50	50	64	2.8	
43679	L-108xø108	108.30	108	121	50	50	66	2.8	
43680	L-133xø133	133.60	133	144	58	58	81	3	

90° 承口大弯头

90° Elbow-long

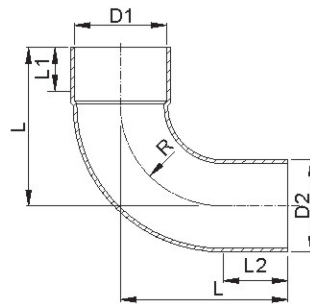


订货代号 Order No.	型号 Model No.	尺寸 Dimension (mm)					材料壁厚
		D	L	L1	R		
43681	LD-9.52	9.58	22	8	12.7	0.8	
43682	LD-10	10.05	22	8	12.7	0.8	
43683	LD-12	12.05	28	10	19.0	0.8	
43684	LD-12.7	12.75	28	10	19.0	0.8	
43685	LD-15.88	15.95	38	12	24.0	1	
43686	LD-16	16.07	38	12	24.0	1	
43687	LD-19	19.10	38	13	24.0	1	
43688	LD-22	22.10	44	15	27.0	1.2	
43689	LD-22.23	22.33	44	15	27.0	1.2	

订货代号 Order No.	型号 Model No.	尺寸 Dimension (mm)					材料壁厚
		D	L	L1	R		
43690	LD-25.4	25.50	52	17	32.5	1.2	
43691	LD-28	28.10	54	19	34.0	1.2	
43692	LD-28.6	28.70	54	19	34.0	1.2	
43693	LD-32	32.10	59	21	36.0	1.3	
43694	LD-35	35.10	63	22	39.0	1.3	
43695	LD-38	38.10	70	23	45.0	1.4	
43696	LD-42	42.10	74	25	46.5	1.5	
43697	LD-44.5	44.60	76	26	48.0	1.7	
43698	LD-45	45.10	76	26	48.0	1.7	
43699	LD-50	50.10	92	28	62.0	1.7	
43700	LD-54	54.15	102	30	70.0	1.7	
43701	LD-55	55.15	103	30	70.0	1.7	
43702	LD-67	67.15	132	35	90.0	1.8	
43703	LD-76	76.20	135	38	93.0	2	
43704	LD-79.4	79.45	160	40	117.5	2	
43705	LD-80	80.20	160	40	117.5	2	
43706	LD-89	89.20	178	44	131.0	2.3	
43707	LD-92	92.20	181	45	131.0	2.3	
43708	LD-105	105.30	200	50	146.0	2.8	
43709	LD-108	108.30	201	50	146.0	2.8	

90° 承插大弯头

90° Elbow-long

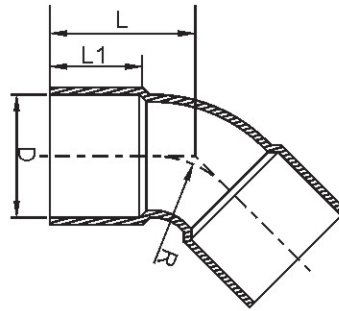


订货代号 Order No.	型号 Model No.	尺寸 Dimension (mm)					
		D1	D2	L	L1	R	材料壁厚
43710	LD-9.52x9.52	9.58	9.52	22	8	12.7	0.8
43711	LD-10x10	10.05	10	22	8	12.7	0.8
43712	LD-12x12	12.05	12	28	10	19.0	0.8
43713	LD-12.7x12.7	12.75	12.7	28	10	19.0	0.8
43714	LD-15.88x15.88	15.95	15.88	38	12	24.0	1
43715	LD-16x16	16.07	16	38	12	24.0	1
43716	LD-19x19	19.10	19	38	13	24.0	1
43717	LD-22x22	22.10	22	44	15	27.0	1.2
43718	LD-22.23x22.23	22.33	22.23	44	15	27.0	1.2

订货代号 Order No.	型号 Model No.	尺寸 Dimension (mm)					
		D1	D2	L	L1	R	材料壁厚
43719	LD-25.4x25.4	25.50	25.40	52	17	32.5	1.2
43720	LD-28x28	28.10	28	54	19	34.0	1.2
43721	LD-28.6x28.6	28.70	28.60	54	19	34.0	1.2
43722	LD-32x32	32.10	32	59	21	36.0	1.3
43723	LD-35x35	35.10	35	63	22	39.0	1.3
43724	LD-38x38	38.10	38	70	23	45.0	1.4
43725	LD-42x42	42.10	42	74	25	46.5	1.5
43726	LD-44.5x44.5	44.60	44.50	76	26	48.0	1.7
43727	LD-45x45	45.10	45	76	26	48.0	1.7
43728	LD-50x50	50.10	50	92	28	62.0	1.7
43729	LD-54x54	54.15	54	102	30	70.0	1.7
43730	LD-55x55	55.15	55	103	30	70.0	1.7
43731	LD-67x67	67.15	67	132	35	90.0	1.8
43732	LD-76x76	76.20	76	135	38	93.0	2
43733	LD-79.4x79.4	79.45	79.40	160	40	117.5	2
43734	LD-80x80	80.20	80	160	40	117.5	2
43735	LD-89x89	89.20	89	178	44	131.0	2.3
43736	LD-92x92	92.20	92	181	45	131.0	2.3
43737	LD-105x105	105.30	105	200	50	146.0	2.8
43738	LD-108x108	108.30	108	201	50	146.0	2.8

45° 承口弯头

45° Elbow

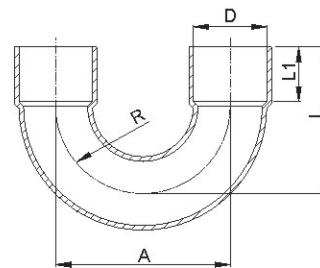


订货代号 Order No.	型号 Model No.	尺寸 Dimension (mm)					梯壁厚度
		D	L	L1	R		
43581	V-6	6.05	10	6	6.6	0.8	
43582	V-6.35	6.40	10	6	6.6	0.8	
43583	V-8	8.05	12	7	8	0.8	
43584	V-9.52	9.58	13	8	9.4	0.8	
43585	V-10	10.05	13	8	9.4	0.8	
43586	V-12	12.05	15	9	10.8	0.8	
43587	V-12.7	12.75	16	10	10.8	0.8	
43588	V-15	15.07	18	11	12.9	0.8	
43589	V-15.88	15.95	19	12	13.6	0.8	
43590	V-16	16.07	19	12	13.6	0.8	
43591	V-19	19.10	22	13	15.7	0.9	
43593	V-22	22.10	25	15	17.8	1	
43594	V-22.23	22.33	25	15	17.8	1	
43595	V-25	25.10	27	17	20	1.1	
43596	V-25.4	25.50	28	17	20	1.1	
43597	V-28	28.10	30	19	22	1.1	
43598	V-28.6	28.70	30	19	22	1.1	

订货代号 Order No.	型号 Model No.	尺寸 Dimension (mm)					梯壁厚度
		D	L	L1	R		
43599	V-32	32.10	33	21	24.8	1.2	
43600	V-35	35.10	36	22	26.9	1.3	
43601	V-38	38.10	38	23	29	1.4	
43602	V-42	42.10	41	25	31.8	1.5	
43603	V-50	50.15	44	28	31	1.7	
43604	V-54	54.15	50	30	40.2	1.7	
43605	V-67	67.15	59	35	49.3	1.8	
43606	V-76	76.20	61	38	55.6	2.0	
43607	V-79.4	79.45	65	40	58.5	2.0	
43608	V-80	80.20	65	40	58.5	2.0	
43609	V-85	85.20	72	42	61.9	2.2	
43610	V-89	89.20	75	44	64.7	2.3	
43611	V-92	92.20	77	45	66.8	2.3	
43612	V-105	105.30	87	50	75.9	2.8	
43613	V-108	108.30	88	50	78	2.8	
43614	V-133	133.60	103	58	95.5	3.0	

180° 承口弯头

180° Elbow

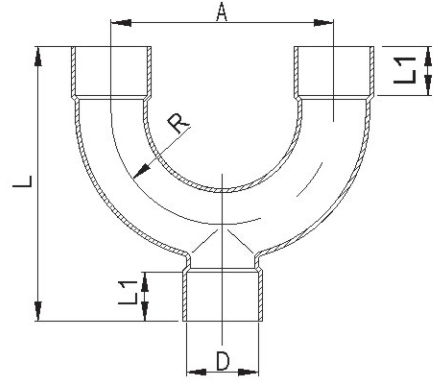


订货代号 Order No.	型号 Model No.	尺寸 Dimension (mm)					梯壁厚度
		A	D	L	L1	R	
43739	U-6	18	6.05	16	6	9	0.7
43740	U-8	24	8.05	20	7	12	0.8
43741	U-10	30	10.05	24	8	15	0.8
43742	U-12.7	36	12.75	30	10	19	0.8
43743	U-15.88	48	15.95	37	12	24	1
43744	U-16	48	16.07	37	12	24	1
43745	U-19	60	19.10	45	13	30	1
43746	U-22	68	22.10	51	15	34	1
43747	U-25	75	25.10	56	17	38	1.1
43748	U-28	88	28.10	64	19	44	1.1

订货代号 Order No.	型号 Model No.	尺寸 Dimension (mm)					梯壁厚度
		A	D	L	L1	R	
43749	U-32	108	32.10	77	21	54	1.3
43750	U-35	108	35.10	78	22	54	1.3
43751	U-38	111	38.10	81	23	55.55	1.4
43752	U-42	114	42.10	84	25	57.15	1.5
43753	U-45	114	45.10	88	26	57.15	1.5
43754	U-54	140	54.15	102	30	69.85	1.7
43755	U-67	180	67.15	128	35	90	1.8
43756	U-φ9.52x25.4		9.52	24	10.00	12.70	0.50
43757	U-φ12.7x31.8		12.7	31	12.00	15.88	0.70
43758	U-φ15.88x38.1		15.88	35	14.00	19.05	0.8

Y形承口三通

Special Tee

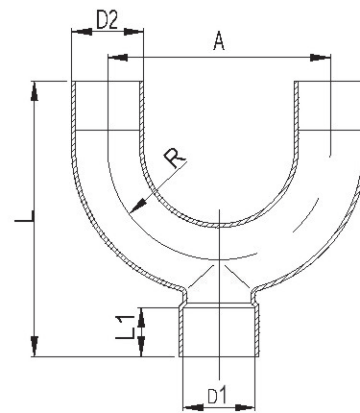
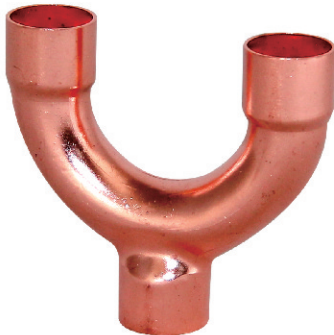


订货代号 Order No.	型号 Model No.	尺寸 Dimension (mm)				
		D	A	L	L1	材料厚度
43759	Y-9.52	9.58	25.4	37	8	0.8
43760	Y-12.7	12.75	30	48	10	1
43761	Y-16	16.07	48	62	12	1.05
43762	Y-19	19.1	60	70	13	1.1

订货代号 Order No.	型号 Model No.	尺寸 Dimension (mm)				
		D	A	L	L1	材料厚度
43763	Y-22	22.10	68	84	15	1.1
43764	Y-28	28.10	89	107	19	1.4
43765	Y-35	35.10	109	120	22	1.6
43766	Y-42	42.10	130	139	25	1.8

Y形承插三通

Special Tee

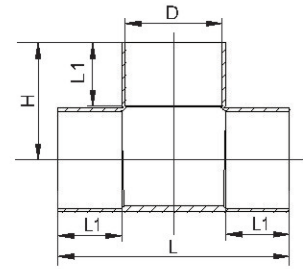
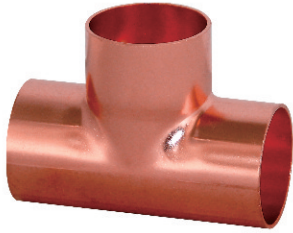


订货代号 Order No.	型号 Model No.	尺寸 Dimension (mm)					
		D1	D2	A	L	L1	材料厚度
43767	Y-9.52xø9.52	9.58	9.52	25.4	37	8	0.8
43768	Y-12.7xø12.7	12.75	12.7	30	48	10	1
43769	Y-16xø16	16.07	16	48	62	12	1.05
43770	Y-19xø19	19.1	19	60	70	13	1.1

订货代号 Order No.	型号 Model No.	尺寸 Dimension (mm)					
		D1	D2	A	L	L1	材料厚度
43771	Y-22xø22	22.10	22	68	84	15	1.1
43772	Y-28xø28	28.10	28	89	107	19	1.4
43773	Y-35xø35	35.10	35	109	120	22	1.6
43774	Y-42xø42	42.10	42	130	139	25	1.8

正三通

Tee

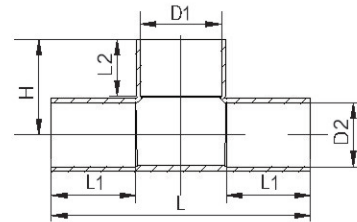
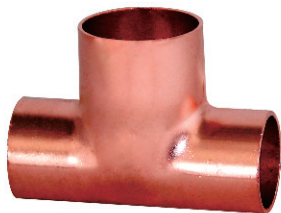


订货代号 Order No.	型号 Model No.	尺寸 Dimension (mm)					梯壁厚度
		D	H	L	L1		
43775	T-6.35	6.35	13.6	24.4	6	0.7	
43776	T-8	8.05	13.0	26.5	7	0.75	
43777	T-8x1	8.05	13.0	26.5	7	1	
43778	T-9.52	9.58	14.5	29.0	8	0.75	
43779	T-10	10.05	14.5	29.5	8	0.75	
43780	T-9.52x1	9.58	14.5	29.0	8	1	
43781	T-9.52x1.2	9.58	15.0	31.0	8	1.2	
43782	T-12	12.05	18.0	33.5	9	0.8	
43783	T-12x1.2	12.75	19.0	34.5	10	1.2	
43784	T-12.7	12.75	19.0	34.5	10	0.8	
43785	T-14	14.07	20.0	39.0	11	0.8	
43786	T-15	15.07	21.0	40.5	11	0.8	
43787	T-15.88	15.95	23.0	43.5	12	0.8	
43788	T-16	16.07	23.0	43.5	12	0.8	
43789	T-19	19.10	27.0	49.0	13	0.9	
43790	T-19x1.3	19.10	27.0	52.0	13	1.3	
43791	T-19x1.5	19.10	27.0	53.0	13	1.5	
43792	T-22	22.10	29.0	55.0	15	1	
43793	T-22x1.5	22.33	29.0	58.0	15	1.5	
43794	T-22.23	22.33	29.0	55.0	15	1	
43795	T-25	25.10	32.0	62.0	17	1.1	
43796	T-25x1.3	25.10	32.0	62.0	17	1.3	

订货代号 Order No.	型号 Model No.	尺寸 Dimension (mm)					梯壁厚度
		D	H	L	L1		
43797	T-25.4	25.50	32.0	62.0	17	1.1	
43798	T-28	28.10	37.0	69.0	19	1.1	
43799	T-28.6	28.70	37.0	69.0	19	1.1	
43800	T-32	32.10	40.0	76.0	21	1.2	
43801	T-35	35.10	45.0	84.0	22	1.2	
43802	T-38	38.10	47.0	89.0	23	1.4	
43803	T-41.3	41.4	50.0	96.0	25	1.4	
43804	T-42	42.10	50.0	96.0	25	1.4	
43805	T-45	45.10	51.0	106.0	26	1.5	
43806	T-50	50.15	57.5	113.0	28	1.7	
43807	T-54	54.15	64.0	117.0	30	1.7	
43808	T-66.7	66.85	74.0	146.0	35	1.8	
43809	T-64	64.15	74.0	156.0	35	1.8	
43810	T-67	67.15	74.0	146.0	35	1.8	
43811	T-76	76.20	83.0	163.0	40	1.8	
43812	T-79.4	79.45	86.0	168.0	42	1.9	
43813	T-80	80.20	87.0	168.0	42	1.9	
43814	T-89	92.20	99.0	189.0	45	2.3	
43815	T-92	92.20	99.0	191.0	45	2.3	
43816	T-105	105.30	110.0	213.0	50	2.8	
43817	T-108	108.30	110.0	214.0	50	2.8	

中大三通

Reducing Tee

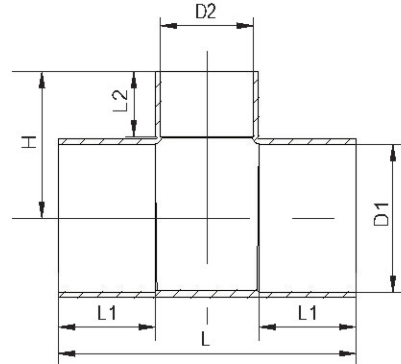
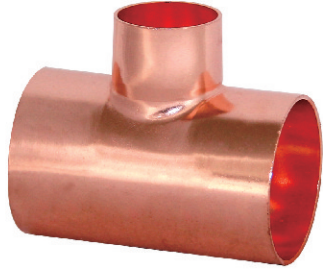


订货代号 Order No.	型号 Model No.	尺寸 Dimension (mm)							梯壁厚度
		D1	D2	L	L1	L2	H		
43819	T-9.52x12.7	12.75	9.58	32.0	8	10	17.5	0.9	
43820	T-12x16	16.07	12.05	43.0	9	12	22.0	1	
43821	T-φ16x16	16.07	15.9	42.0	12	12	22.0	0.8	
43822	T-16x22	22.10	16.07	49.0	12	15	28.0	1.1	
43823	T-22x25	25.10	22.10	61.0	15	17	32.0	1.2	
43824	T-22x28	28.10	22.10	61.0	15	19	35.0	1.2	
43825	T-28x32	32.10	28.10	86.0	19	21	40.0	1.2	
43826	T-22x35	35.10	22.10	84.0	15	22	39.0	1.3	
43827	T-28x35	35.10	28.10	79.0	19	22	39.0	1.3	
43828	T-22x42	42.10	22.10	108.0	15	25	46.0	1.5	

订货代号 Order No.	型号 Model No.	尺寸 Dimension (mm)							梯壁厚度
		D1	D2	L	L1	L2	H		
43829	T-28.6x42	42.10	28.7	104.0	19	25	46.0	1.5	
43830	T-35x42	42.10	35.10	93.0	22	25	46.0	1.5	
43831	T-35x54	54.15	35.10	120.0	22	30	56.0	1.7	
43832	T-42x54	54.15	42.10	112.0	25	30	56.0	1.7	
43833	T-54x67	67.15	54.15	138.0	30	35	68.0	1.8	
43834	T-42x67	67.15	42.10	147.0	25	35	68.0	1.8	
43835	T-54x76	76.20	54.15	185.0	30	40	83.0	1.8	
43836	T-67x79.4	79.45	67.15	188.0	35	42	86.0	1.9	
43837	T-φ79x79	79.45	φ79.4	180.0	42	42	86.0	1.9	

中小三通

Reducing Tee

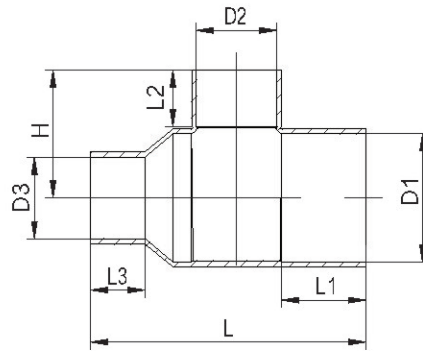
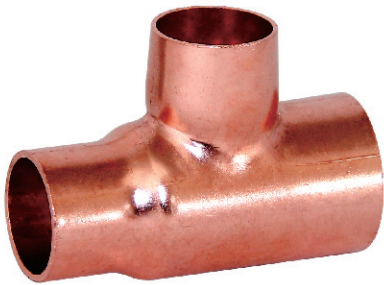


订货代号 Order No.	型号 Model No.	尺寸 Dimension (mm)							材料厚度
		D1	D2	L	L1	L2	H		
43838	T-9.52x6.35	9.58	6.35	30	8	6	13.0	0.7	
43839	T-10x8	10.05	8.05	29.0	8	7	14.0	0.75	
43840	T-12x8	12.05	8.05	31.0	9	7	16.0	0.8	
43841	T-12x10	12.05	10.05	33.0	9	8	16.5	0.8	
43842	T-12.7x6.35	12.75	6.35	33.0	10	6	16.0	0.7	
43843	T-12.7x8	12.75	8.05	33.0	10	7	16.0	0.8	
43844	T-12.7x9.52	12.75	9.58	33.0	10	8	16.5	0.8	
43845	T-15x8	15.07	8.05	33.0	11	7	17.0	0.8	
43846	T-15x10	15.07	10.05	34.0	11	8	18.0	0.8	
43847	T-15x12	15.07	12.05	36.0	11	9	19.0	0.8	
43848	T-15.88x9.52	15.95	9.58	36.0	12	8	18.0	0.8	
43849	T-15.88x12.7	15.95	12.75	40.0	12	10	20.0	0.8	
43850	T-16x8	16.07	8.05	36.0	12	7	17.0	0.8	
43851	T-16x10	16.07	10.05	36.0	12	8	18.0	0.8	
43852	T-16x12	16.07	12.05	41.0	12	9	19.0	0.8	
43853	T-19x10	19.10	10.05	39.0	13	8	20.0	0.9	
43854	T-19x12	19.10	12.05	42.0	13	9	22.0	0.9	
43855	T-19x15.88	19.10	15.95	44.0	13	12	24.0	0.9	
43856	T-22x15	22.10	15.07	50.0	15	11	26.0	1	
43857	T-22.23x9.52	22.33	9.58	44.0	15	8	20.0	0.8	
43858	T-22x12	22.10	15.07	45.0	15	11	23.0	0.9	
43859	T-22.23x12.7	22.33	12.75	46.0	15	10	24.0	0.9	
43860	T-22.23x15.88	22.33	15.95	50.0	15	12	26.0	1	
43861	T-22.23x19	22.33	19.10	53.0	15	13	27.0	1	
43862	T-22.3x22.23	22.2	22.33	61.0	15	15	29.0	1	
43863	T-25.4x16	25.50	16.10	55.0	17	12	27.5	1.1	
43864	T-25.4x19	25.50	19.10	55.5	17	13	28.0	1.1	
43865	T-28x22	28.10	22.10	61.0	19	15	32.0	1.1	
43866	T-28x19	28.10	19.10	59.0	19	13	30.0	1.1	
43867	T-28x15	28.10	15.07	58	19	11	29.0	1.1	
43868	T-28x12	28.10	12.05	53	19	9	26.0	0.9	
43869	T-28x10	28.10	10.05	51	19	8	25.0	0.9	
43870	T-28.6x12.7	28.7	12.05	53	19	10	27.0	0.9	
43871	T-28.6x15.88	28.7	15.95	58.0	19	12	31.0	1.1	
43872	T-28.6x19	28.7	19.10	59.0	19	13	30.0	1.1	
43873	T-28.6x22.3	28.7	22.33	64.0	19	15	33.0	1.1	
43874	T-32x15.88	32.1	15.95	62.0	21	12	31.0	1.1	
43875	T-32x25.4	32.10	25.50	70.0	21	17	36.0	1.2	
43876	T-32x28.6	32.10	28.70	70.0	21	17	36.0	1.1	
43877	T-35x15	35.10	15.07	64.0	22	11	34.0	1.2	
43878	T-35x15.88	35.10	15.95	64.0	22	12	35.0	1.2	

订货代号 Order No.	型号 Model No.	尺寸 Dimension (mm)							材料厚度
		D1	D2	L	L1	L2	H		
43879	T-35x19	35.10	19.10	67.0	22	13	35.0	1.2	
43880	T-35x22	35.10	22.10	70.5	22	15	37.0	1.2	
43881	T-35x28	35.10	28.10	76.5	22	19	41.0	1.2	
43882	T-35x28.6	35.10	28.7	77.0	22	19	41.0	1.2	
43883	T-38x22	38.10	22.10	74.0	23	15	38.0	1.4	
43884	T-38x28	38.10	28.10	80.0	23	19	42.0	1.4	
43885	T-41.3x15.88	41.4	15.95	71.0	25	12	37.0	1.4	
43886	T-41.3x22.3	41.4	22.33	76.0	25	15	40.0	1.4	
43887	T-41.3x28.6	41.4	28.7	82.0	25	19	44.0	1.4	
43888	T-41.3x35	41.4	35.10	88.0	25	22	46.0	1.4	
43889	T-42x15	42.10	15.07	70.0	25	11	36.0	1.4	
43890	T-42x22	42.10	22.10	76.0	25	15	40.0	1.4	
43891	T-42x28	42.10	28.10	82.0	25	19	43.0	1.4	
43892	T-42x35	42.10	35.10	88.0	25	22	46.0	1.4	
43893	T-54x15	54.15	15.07	82.0	30	11	44.0	1.7	
43894	T-54x22.3	54.15	22.33	87.0	30	15	46.0	1.7	
43895	T-54x28	54.15	28.10	95.0	30	19	50.0	1.7	
43896	T-54x28.6	54.15	28.7	95.0	30	19	50.0	1.7	
43897	T-54x35	54.15	35.10	98.0	30	22	53.0	1.7	
43898	T-54x42	54.15	42.10	107.0	30	25	58.0	1.7	
43899	T-66.7x28	66.85	28.10	102.0	35	19	56.0	1.8	
43900	T-67x35	67.15	35.10	110.0	35	22	59.0	1.8	
43901	T-66.7x41.3	66.85	41.4	116.0	35	25	65.0	1.8	
43902	T-67x42	67.15	42.10	116.0	35	25	65.0	1.8	
43903	T-67x54	67.15	54.15	129.0	35	30	67.0	1.8	
43904	T-76x22	76.20	22.10	108.0	40	15	57.0	1.8	
43905	T-76x28	76.20	28.10	114.0	40	19	62.0	1.8	
43906	T-76x35	76.20	35.10	119.0	40	22	65.0	1.8	
43907	T-76x42	76.20	42.10	128.0	40	25	68.0	1.8	
43908	T-76x54	76.20	54.15	139.0	40	30	73.0	1.8	
43909	T-76x67	76.20	67.15	151.0	40	35	78.0	1.8	
43910	T-79.4x28.6	79.45	28.7	119.0	42	19	63.0	1.9	
43911	T-79.4x35	79.45	35.10	126.0	42	22	66.0	1.9	
43912	T-79.4x41.3	79.45	41.4	130.0	42	25	69.0	1.9	
43913	T-79.4x54	79.45	54.15	145.0	42	30	75.0	1.9	
43914	T-79.4x67	79.45	67.15	156.0	42	35	80.0	1.9	
43915	T-92x54	92.20	54.15	154.0	45	25	83.0	2.3	
43916	T-92x67	92.20	67.15	167.0	45	35	86.0	2.3	
43917	T-92x76	92.20	76.20	176.0	45	40	89.0	2.3	
43918	T-108x79.4	108.30	79.45	184	50	42	102	2.8	

异径三通

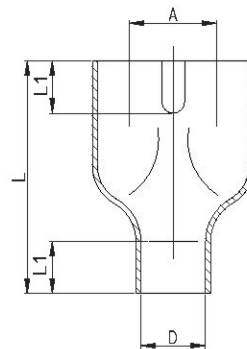
Reducing Tee



订货代号 Order No.	型号 Model No.	尺寸 Dimension (mm)								
		D1	L1	D2	L2	D3	L3	L	H	材料壁厚
43919	T-12.7x12.7x9.52	12.75	10	12.75	10	9.58	8	39.0	19.0	0.8
43920	T-15.88x9.52x12.7	15.95	12	9.58	8	12.75	10	41.0	18.0	0.8
43921	T-15.88x15.88x12.7	15.95	12	15.95	12	12.75	10	46.0	23.0	0.8
43922	T-22.23x16x16	22.33	15	16.07	12	16.07	12	55.0	26.0	1
43923	T-22.23x22.3x16	22.33	15	22.33	15	16.07	12	59.0	29.0	1
43924	T-28x22x22	28.10	19	22.1	15	22.1	15	66.5	32.0	1.1
43925	T-28.6x15.88x15.88	28.7	19	15.95	12	15.95	12	63.0	31.0	1.1
43926	T-28.6x28.6x22.3	28.7	19	28.7	19	22.33	15	74.0	37.0	1.1
43927	T-35x22x22	35.10	22	22.1	15	22.1	15	78.0	37.0	1.2
43928	T-35x28x28	35.10	22	28.10	19	28.10	19	84.0	41.0	1.2
43929	T-35x35x22	35.10	22	35.10	22	28.10	19	90.0	41.0	1.2
43930	T-41.3x28.6x28.6	41.4	25	28.7	19	28.7	19	89.0	44.0	1.4
43931	T-41.3x35x35	41.4	25	35.10	22	35.10	22	94.0	46.0	1.4
43932	T-42x22x35	42.10	25	22.1	15	35.10	22	83.0	39.0	1.4
43933	T-42x22x22	42.10	25	22.1	15	22.1	15	83.0	39.0	1.4
43934	T-54x35x42	54.15	30	35.10	22	42.10	25	107.0	53.0	1.7
43935	T-54x42x42	54.15	30	42.10	25	42.10	25	115.0	58.0	1.7
43936	T-54x54x42	54.15	30	54.15	30	42.10	25	128.0	64.0	1.7
43937	T-54x54x28	54.15	30	54.15	30	28.10	19	132.0	64.0	1.7
43938	T-66.7x41.3x41.3	66.85	35	41.4	25	41.4	25	128.0	63.0	1.8

裤三通

Distribute Connector

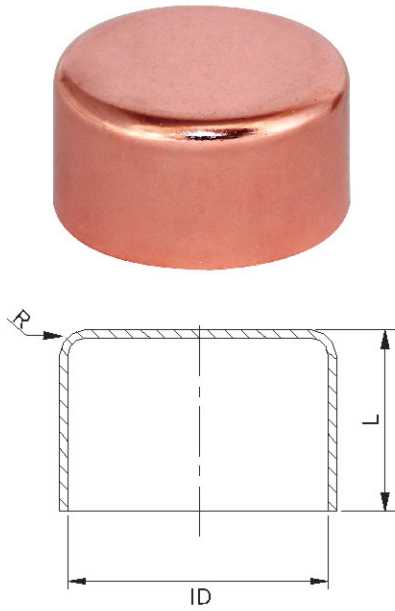


订货代号 Order No.	型号 Model No.	尺寸 Dimension (mm)				
		D	L1	L	A	材料壁厚
43939	YK6.35	6.35	8	35	9.5	0.8
43940	YK9.52	9.57	8	35	13.5	1
43941	YK12.7	12.75	10	48	18	1.2
43942	YK16	16.07	14	56	22	1.3

订货代号 Order No.	型号 Model No.	尺寸 Dimension (mm)				
		D	L1	L	A	材料壁厚
43943	YK19	19.07	16	66	25	1.5
43944	Yk22	22.10	18	80	30	1.7
43945	YK28.6	28.68	22	89	37	1.7

管帽

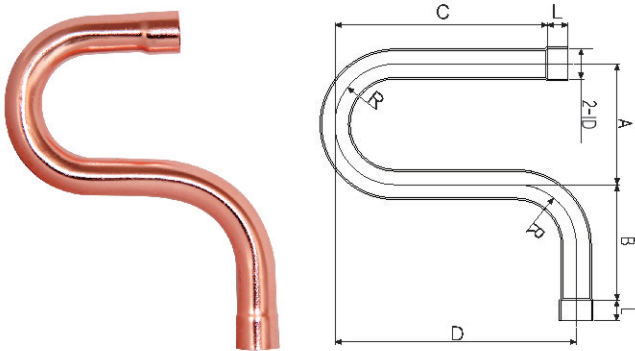
Cap



订货代号 Order No.	型号 Model No.	尺寸 Dimension (mm)			
		ID	L	R	材料厚度
43950	C-9.52	9.58	11.0	2.5	0.9
43951	C-12.7	12.75	13.0	2.5	1.0
43952	C-15	15.07	14.0	3.0	1.0
43953	C-16	16.07	15.0	3.0	1.0
43954	C-19	19.10	17.0	3.0	1.0
43955	C-22	22.10	18.0	3.0	1.0
43956	C-25.4	25.50	20.0	3.5	1.1
43957	C-28	28.10	21.5	3.5	1.1
43958	C-35	35.10	24.5	3.5	1.2
43959	C-42	42.10	27.5	4.5	1.5
43960	C-45	45.10	28.5	4.5	1.5
43961	C-54	54.15	32.0	5.0	1.7
43962	C-67	67.15	37.0	6.0	2.0
43963	C-70	70.15	38.0	6.0	2.0
43964	C-76	76.20	39.5	6.5	2.2
43965	C-79.4	79.45	41.0	7.0	2.5
43966	C-85	85.20	42.5	7.5	2.5
43967	C-92	92.20	45.0	8.0	2.5
43968	C-105	105.30	48.0	8.0	2.8
43969	C-108	108.30	48.0	8.0	2.8
43970	C-133	133.60	55.0	9.0	3.0

P形弯

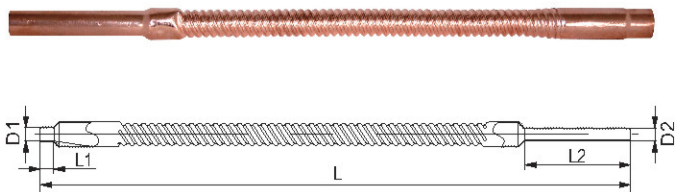
P-trap



订货代号 Order No.	型号 Model No.	尺寸 Dimension (mm)						材料厚度
		ID	A	B	C	D	L	
43971	P-12.7	12.75	40	55	45	86	10	0.8
43972	P-15.88	15.95	57	52	47	94	12	1
43973	P-16	16.07	57	52	47	94	12	1
43974	P-19	19.10	77	73	134	152	13	1.1
43975	P-22	22.10	90	69	132	132	15	1.2
43976	P-22.3	22.33	90	69	132	132	15	1.2
43977	P-28	28.10	90	54	127	134	19	1.5
43978	P-28.6	28.7	90	54	127	134	19	1.5
43979	P-35	35.10	127	89	123	178	22	1.5
43980	P-41.3	41.4	132	93	198	224	25	1.7
43981	P-42	42.10	132	92	197	224	25	1.7
43982	P-54	54.15	155	96	200	250	30	1.8

斜波纹管

Screw Tube



订货代号 Order No.	型号 Model No.	尺寸 Dimension (mm)					材料厚度
		D1	D2	L	L1	L2	
43983	BWG/Z-10xO9.52	10.05	9.52	450	10	80	0.6
43984	BWG/Z-12.7xO12	12.75	12	450	12	80	0.6
43985	BWG/Z-16xO15.88	16.07	15.88	450	14	80	0.6
43986	BWG/Z-19.05xO19	19.1	19	450	14	80	0.6